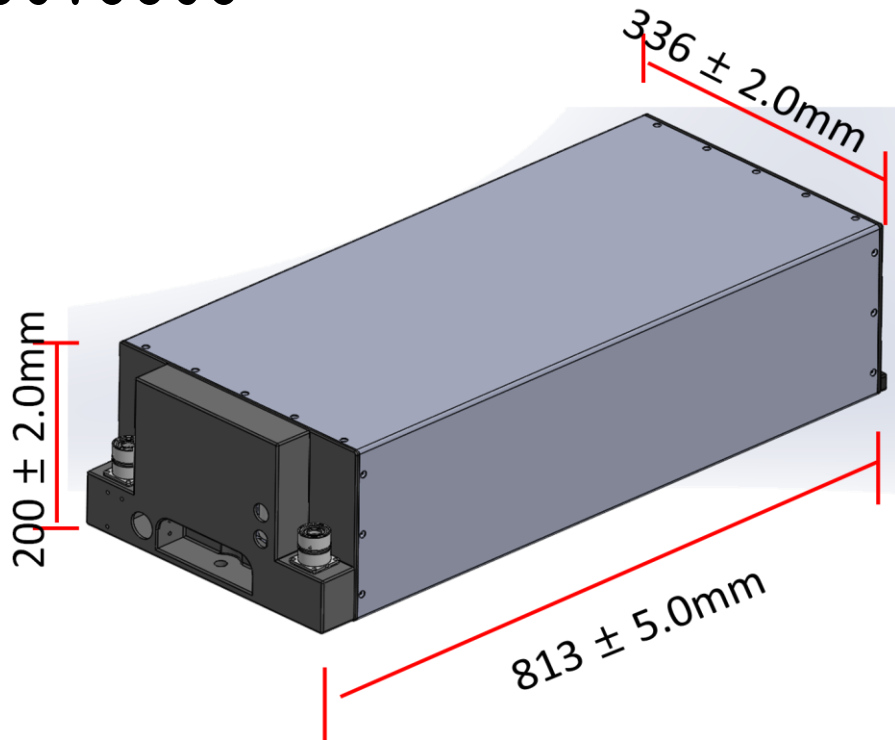


DJ33673863



1	Battery Module Capacity	70Ah*2Parallel=140AH	
2	Battery Module Voltage	20Series/64V	
3	Case Material	Aluminum extrusion	
	Package of Material	PA66+GFRP	
4	Weight	$\leq 85\text{kg}$	
5	Internal Impedance	$\leq 0.5\text{m}\Omega$	
6	Discharge Cut-off Voltage(<60°C)	1C	
7	Discharge Cut-off Voltage(<60°C)	3C	
10	Discharge Cut-off Voltage	2.8V	
11	Operating temp	Charge	0°C ~ +45°C
		Discharge	-20°C ~ +60°C
12	Storage	Temperature	20°C ~ 30°C
		Humidity	<60%
13	Outline Dimensions	Thickness	813±5.0mm
		Width	336±2.0mm
		Height	200±2.0mm
14	Grade of waterproof	IP67	